

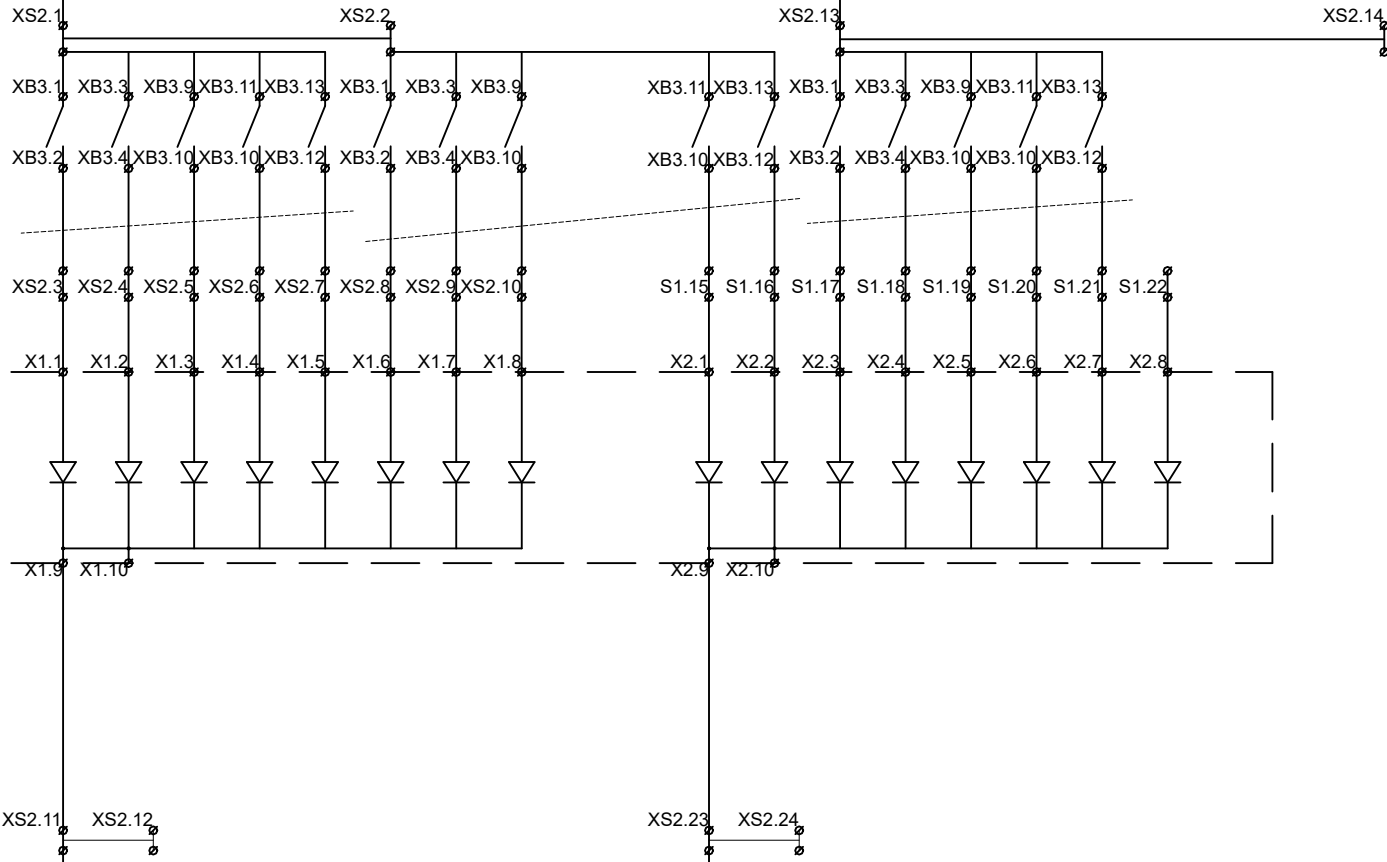
Pole 2

Pole 3

Pole 4

DC+

DC-



DI8113A